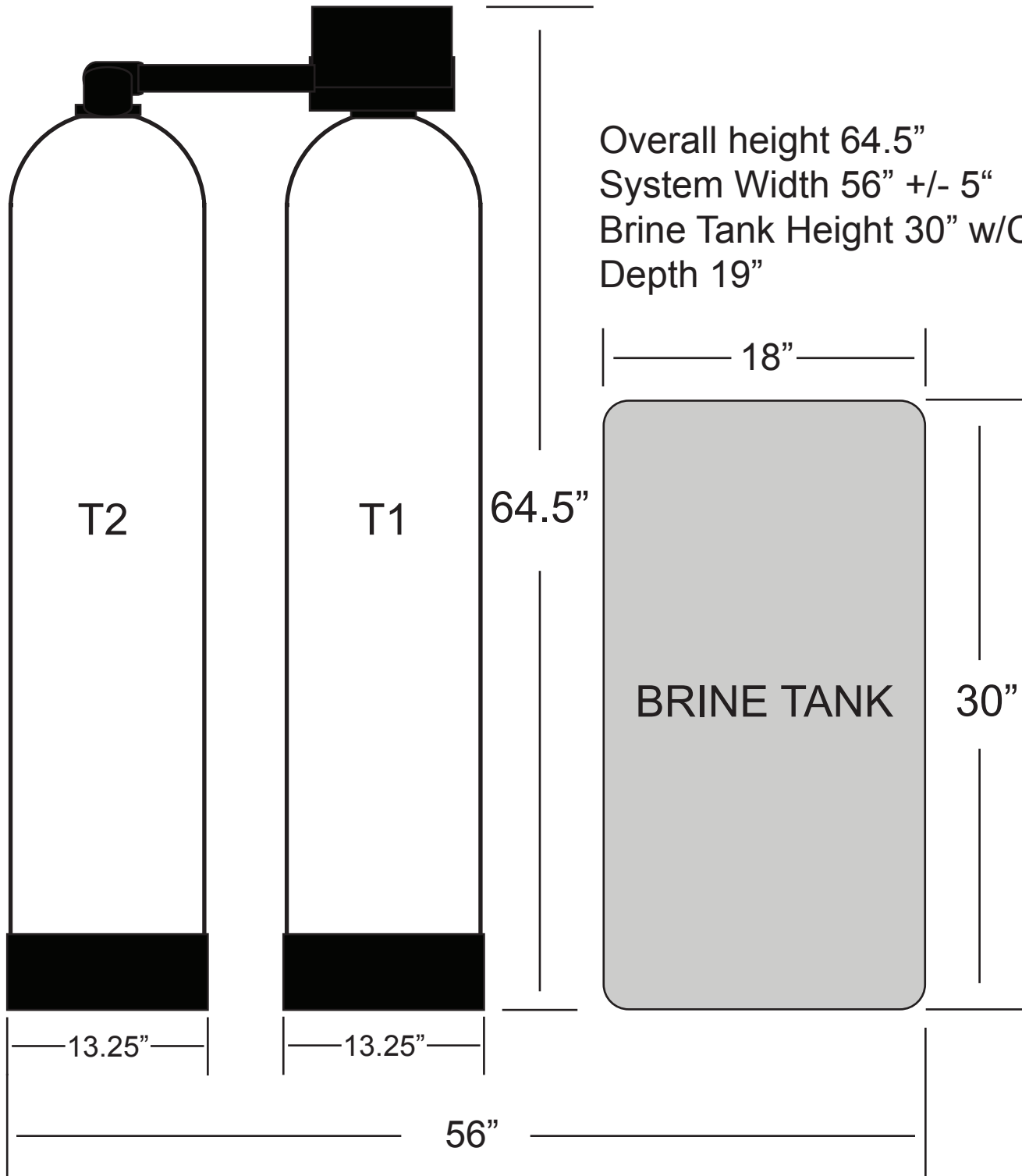


CLEARINSE DUAL TANK INLINE
SYSTEM DIMENSIONS

PROPERTY OF G2 PRODUCTS INC

Overall height 64.5"
System Width 56" +/- 5"
Brine Tank Height 30" w/Cover
Depth 19"



TOP VIEW

